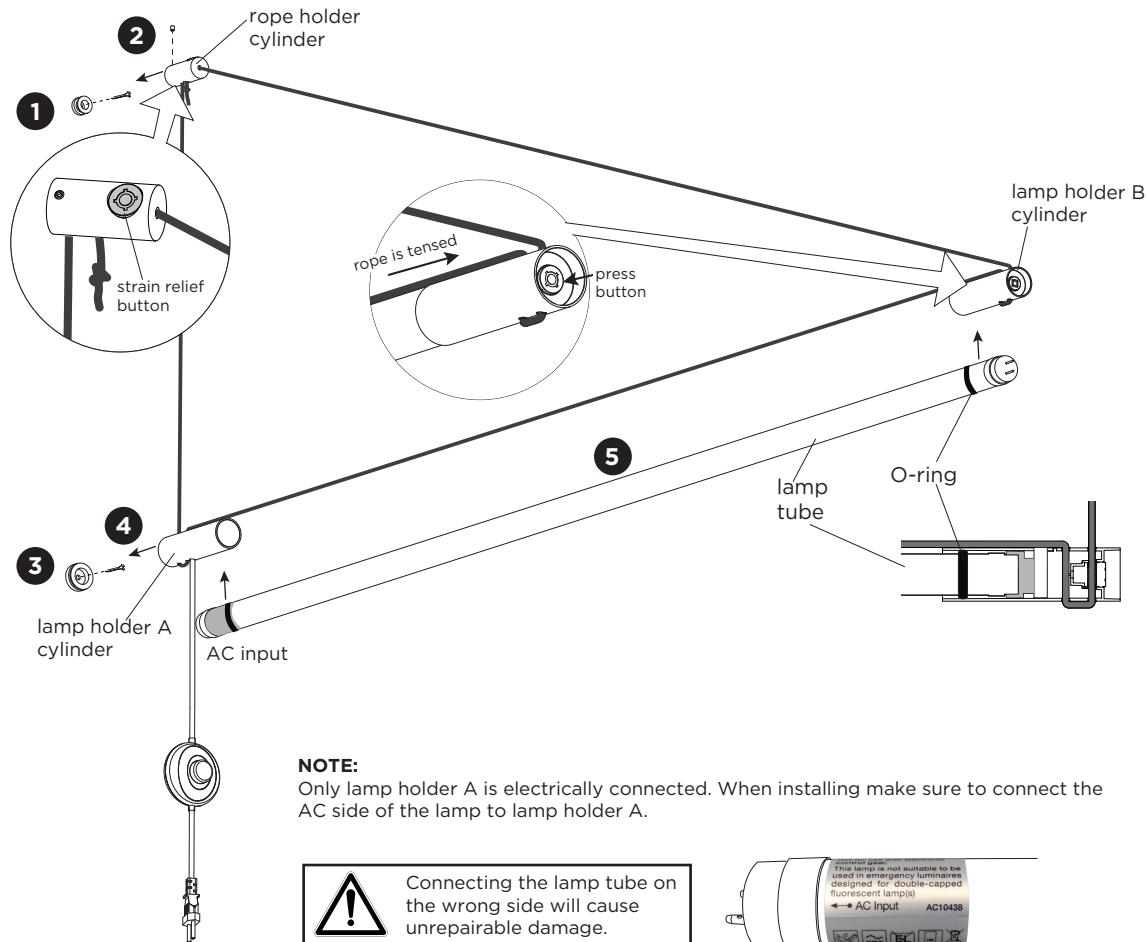
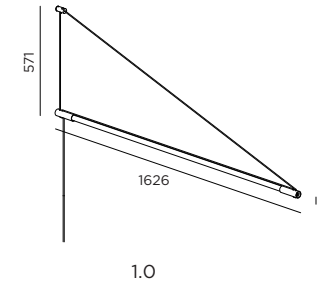


DARF wall surface

INSTALLATION INSTRUCTIONS | MAY 2020



DIMENSIONS



MOUNTING INSTRUCTION

- 1 Mount the upper wall fixation of the rope holder with a screw (screw is not included).
- 2 Mount the rope holder cylinder and tighten with the allen screw.
- 3 Mount the wall fixation of the lamp holder with a screw (screw is not included).
- 4 Mount the lamp holder cylinder by pressing.
- 5 Mount the lamp tube.

Place the O-rings on each side of the lamp tube and mount the tube inside the lamp holders.

Use the buttons on the lamp holder to assure the rope over the lamp tube is tensed.

Adjust the rope to the desired length. When the button is pressed, the rope can be pulled (up to 500mm excess rope can be saved inside the rope holder).



Die Netzanschlussleitung muss immer außer Reichweite von Kindern verlegt werden.

Mains supply wiring shall be secured out of reach of children.

Tenere il cavo di rete lontano dalla portata dei bambini.

El cableado de alimentación eléctrica deberá siempre ser realizado lejos del alcance de niños.

Installez les câblages électriques hors de portée des enfants.

PB19-010-6-48-00_V0