

WALL MOUNTING 1.0 SHORT / 1.0 LONG

27-Sep.-2018

WALL MOUNTING 1.0 SHORT

☐ E27 max. 60W | 220-240VAC | 50-60Hz | 0.7kg

☑ IP20

1.0 CONE

■ black texture+rust
■ black texture
for lamps see our catalogue

3341E8VB0
3341E8BB0

WALL MOUNTING 1.0 LONG

☐ E27 max. 60W | 220-240VAC | 50-60Hz | 0.8kg

☑ IP20

1.0 DIAMOND

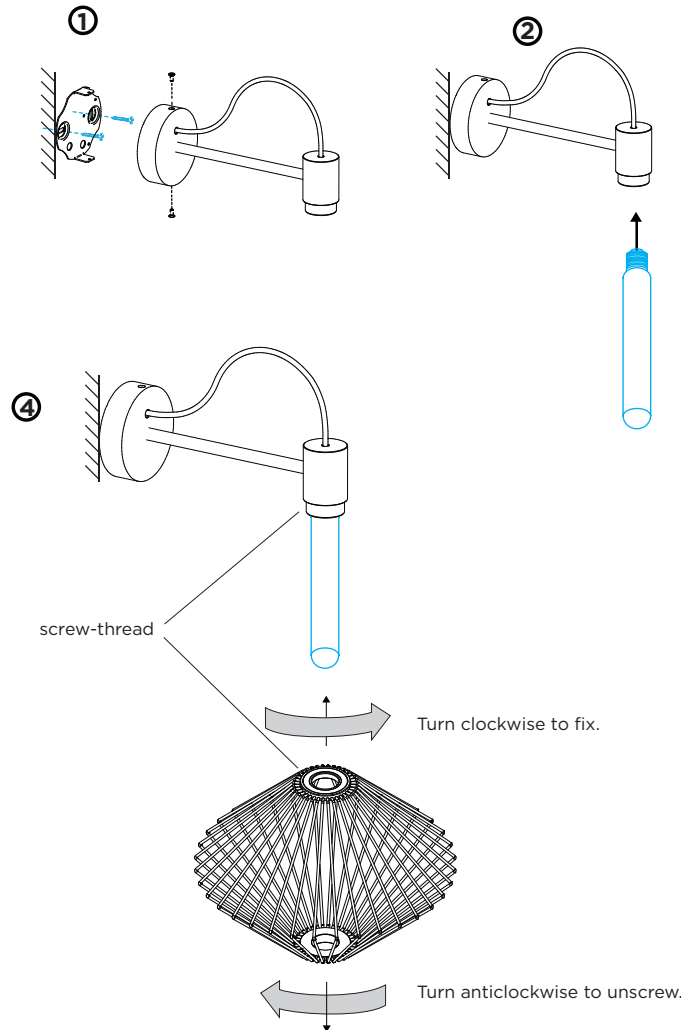
■ black texture+copper
■ black texture
for lamps see our catalogue

3351E8PB0
3351E8BB0

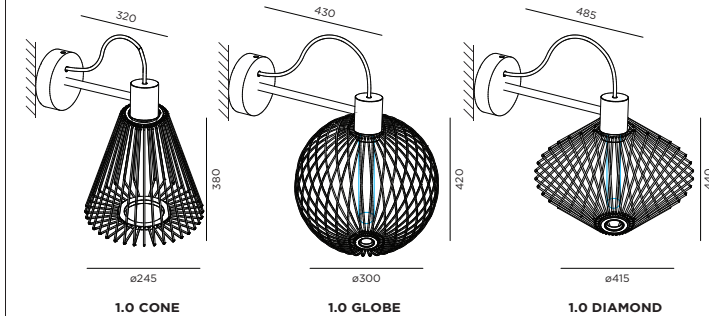
1.0 GLOBE

■ black texture+white
■ black texture+rust
■ black texture
for lamps see our catalogue

3353E8WB0
3353E8VB0
3353E8BB0



DIMENSIONS



MOUNTING INSTRUCTION

- ① Open the wall mounting base by unscrewing the 2 allen screws. Remove the wall bracket from the base and mount it firmly against the wall (**Ensure a solid fixation on the wall**). Bring the wall base over the wall bracket and close it again with the 2 allen screws.
- ② Insert lamp into the socket
- ③ **POWER CONNECTION**
Connect the wires
connection: STANDARD version
 - L
 - ⊕
 - N
- ④ Mount the fixture by screwing it on the socket.

